

Super Silent Blowers

E0818K



□ 87 × 18 (□ 3.4" × 0.7")
Max. airflow: 0.28 m³/min
Max. static pressure: 285 Pa
Mass: 60 g

Fan model code

E0818K12B5AP-00

E0818K12B5AS-00

E0818K12B5AZ-00

E0818K12B6AP-00

E0818K12B6AS-00

E0818K12B6AZ-00

Standard specification

Max. Airflow		Max. Static Pressure		Noise dB	Speed min ⁻¹	Voltage Spec. V		Current mA		Model Code	Operating Temp. Range °C
m ³ /min	CFM	Pa	inH ₂ O			Rating	Operating Range	Rating	Starting		
0.28	9.9	285	1.14	41	3400	12	4.5-13.2	280	580	E0818K12B6AZ-00	-20 ~ +70
0.26	9.2	240	0.96	38	3100	12	4.5-13.2	210	410	E0818K12B5AZ-00	

● Figures in the table are average measured values. Please request the product delivery specification when preparing a purchase specification.

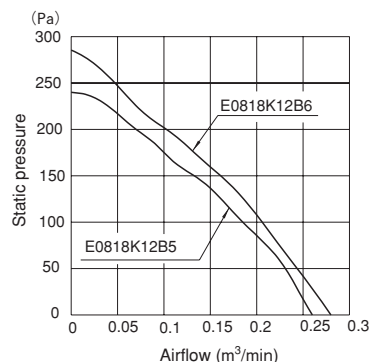
● The characteristics are the values at rated voltage (12 V), and normal temperature and humidity.

General specification

Materials Used	Venturi: ABS and PBT synthetic resins Impeller: ABS and PBT synthetic resins Bearing: Both side shielded ball bearing
Motor	Brushless DC motor, Protection type: Current shut off by detecting lock state, automatically reset
Common Elec. Spec.	See pages G-11, G-12, G-13.

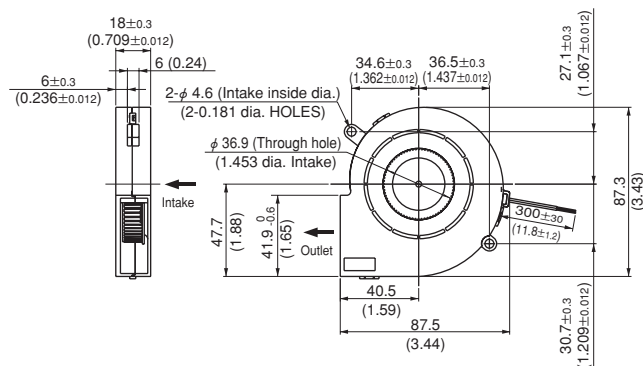
Standard airflow and static pressure characteristics (At rated voltage)

[By double chamber method]



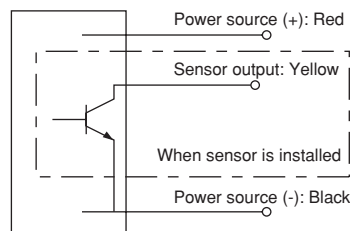
External dimensions in mm (inches)

● Lead wire type



Lead wire spec. AWG26 UL3265
Color (+) Red
(-) Black

Wiring connection diagram



Super silent blower with sensor

Rated Vol.	Model Code	
12 V	E0818K12B5AS-00	E0818K12B6AS-00
	E0818K12B5AP-00	E0818K12B6AP-00

- NIDEC SERVO can meet many of your requirements for customization, such as special connectors, other sensors not listed above, variable speed specifications, and other modifications. Please contact NIDEC SERVO during your product planning and development stage.
- The listed products are registered in the following overseas standards files, UL/cUL: E48889, TUV: R50004410

