

Super Silent Blowers

E1331K



126×127×31

(5.0"×5.0"×1.2")

Max. airflow: 1.08 m³/min

Max. static pressure: 480 Pa

Mass: 250 g

Fan model code

E1331K12B5AP-00

E1331K12B5AS-00

E1331K12B5AZ-00

E1331K12B6AP-00

E1331K12B6AS-00

E1331K12B6AZ-00

E1331K12B7AZ-00

E1331K12B9AP-00

E1331K12B9AS-00

E1331K12B9AZ-00

E1331K24B5AZ-00

E1331K24B6AP-00

E1331K24B6AS-00

E1331K24B6AZ-00

E1331K24B7AP-00

E1331K24B7AS-00

E1331K24B7AZ-00

E1331K24B9AP-00

E1331K24B9AS-00

E1331K24B9AZ-00

Standard specification

Max. Airflow m ³ /min	Max. Static Pressure CFM Pa inH ₂ O	Noise dB	Speed min ⁻¹	Voltage Spec. V		Current mA		Model Code	Operating Temp. Range °C		
				Rating	Operating Range	Rating	Starting				
1.08	38	480	1.93	54	3400	12	8.4-13.2	1100	1960	E1331K12B9AZ-00	-20 ~ +60
						24	21-26.4	530	1980		
0.87	31	310	1.25	49	2700	12	6-13.2	690	1790	E1331K12B7AZ-00	-20 ~ +70
						24	12-26.4	380	930		
0.79	28	250	1.01	47	2500	12	6-13.2	490	1400	E1331K12B6AZ-00	-20 ~ +70
						24	12-26.4	280	710		
0.72	25	210	0.84	45	2200	12	6-13.2	440	1008	E1331K12B5AZ-00	-20 ~ +70
						24	12-26.4	240	520		

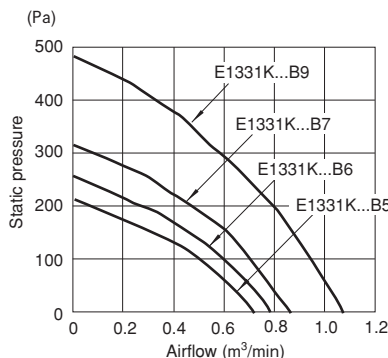
- Figures in the table are average measured values. Please request the product delivery specification when preparing a purchase specification.
- The characteristics are the values at rated voltage (12 V or 24 V), and normal temperature and humidity.

General specification

Materials Used	Venturi: ABS and PBT synthetic resins Impeller: ABS and PBT synthetic resins Bearing: Both side shielded ball bearing
Motor	Brushless DC motor, Protection type: Current shut off by detecting lock state, automatically reset
Common Elec. Spec.	See pages G-11, G-12, G-13.

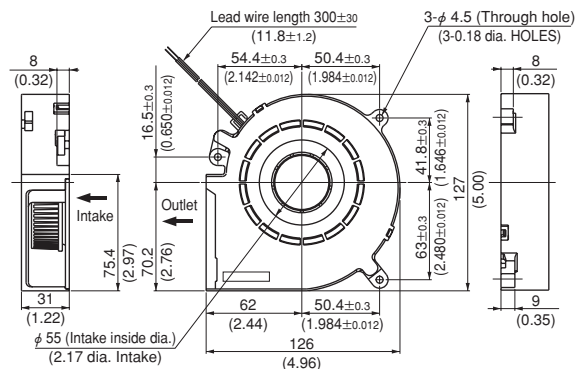
Standard airflow and static pressure characteristics (At rated voltage)

[By double chamber method]



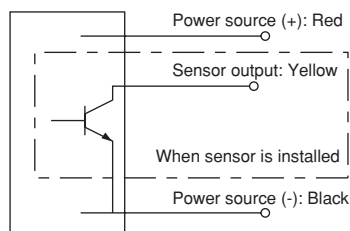
External dimensions in mm (inches)

● Lead wire type



Lead wire spec. AWG24 UL1007 or UL3266
Color (+) Red
(-) Black

Wiring connection diagram



Super silent blower with sensor

Rated Vol.	Model Code			
12 V	E1331K12B5AP-00	E1331K12B6AP-00		E1331K12B9AP-00
	E1331K12B5AS-00	E1331K12B6AS-00		E1331K12B9AS-00
24 V		E1331K24B6AP-00	E1331K24B7AP-00	E1331K24B9AP-00
		E1331K24B6AS-00	E1331K24B7AS-00	E1331K24B9AS-00

- NIDEC SERVO can meet many of your requirements for customization, such as special connectors, other sensors not listed above, variable speed specifications, and other modifications. Please contact NIDEC SERVO during your product planning and development stage.
- The listed products are registered in the following overseas standards files, UL/cUL: E48889, TUV: R50004410

