

3-Phase Hybrid Stepping Motor

1.2°

KT50 series TRISYN

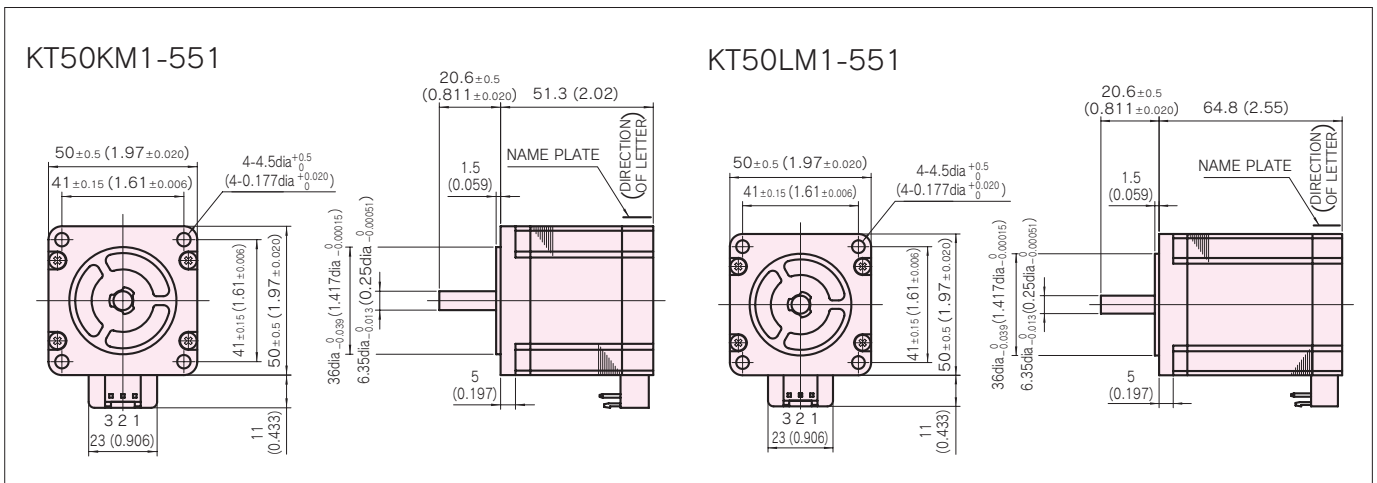
HIGH TORQUE, SILENT ROTATION

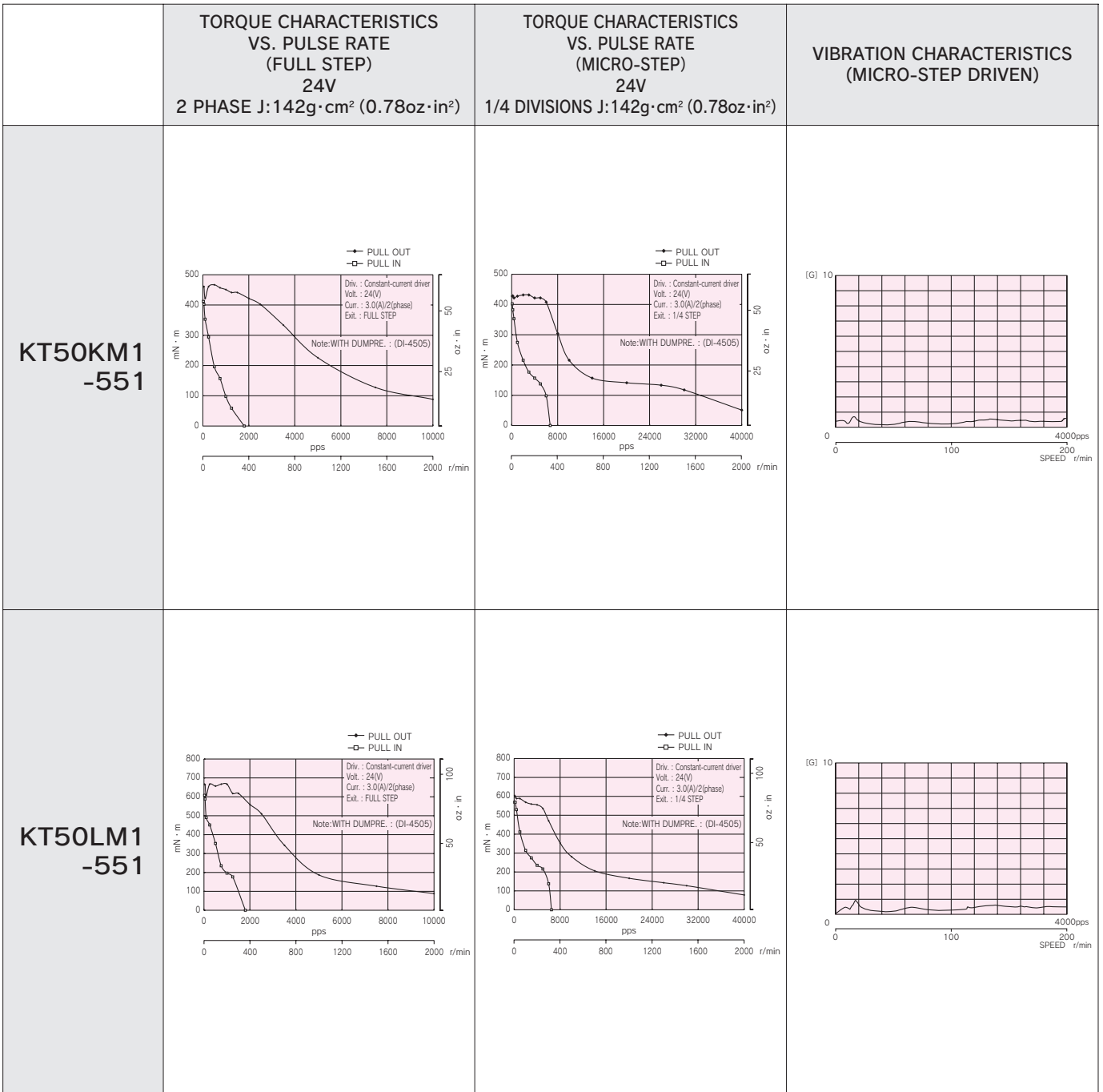
STANDARD SPECIFICATIONS

MODEL	UNIT	KT50KM1-551	KT50LM1-551
DRIVE METHOD	————	BI-POLAR	
NUMBER OF PHASES	————	3	
STEP ANGLE	deg./step	1.2	
VOLTAGE	V	3.9	4.8
CURRENT	A/2-PHASE	3.0	3.0
WINDING RESISTANCE	Ω/2-PHASE	1.3	1.6
INDUCTANCE	mH/2-PHASE	1.6	1.6
HOLDING TORQUE	mN · m	440	580
	oz · in	62.3	82.1
DETENT TORQUE	mN · m	30	40
	oz · in	4.2	5.7
ROTOR INERTIA	g · cm ²	120	170
	oz · in ²	0.66	0.93
WEIGHTS	g	500	650
	lb	1.1	1.4
INSULATION CLASS	————	JIS Class B (30°C 266° F)(UL VALUE:CLASS B 130°C 266° F)	
INSULATION RESISTANCE	————	500VDC 100MΩmin.	
DIELECTRIC STRENGTH	————	500VAC 50HZ 1min.	
OPERATING TEMP. RANGE	°C	-10 to 50	
ALLOWABLE TEMP. RISE	K	80	



DIMENSIONS unit = mm (inch)





■ CONNECTION CABLE TO MOTOR unit = mm (inch)

