

DC Centrifugal  
Blowers  
**MBDC**



□76×30 (□3.0"×1.2")  
Max. airflow: 0.33 m<sup>3</sup>/min  
Max. static pressure: 172 Pa  
Mass: 105 g

Fan model code

- MBDC12B4
- MBDC12H4
- MBDC12H4S
- MBDC12Z4
- MBDC12Z4S
- MBDC24B4
- MBDC24B4S
- MBDC24Z4

Standard specification

Max. Airflow m <sup>3</sup> /min	Max. Static Pressure CFM	Noise Pa	Speed inH <sub>2</sub> O	Noise dB	Speed min <sup>-1</sup>	Input W	Voltage Spec. V		Current mA		Model Code	Operating Temp. Range °C
							Rating	Operating Range	Rating	Starting		
0.33	11.6	172	0.69	47	4200	4.6	12	7.2-13.8	380	820	MBDC12H4	-20 ~ +60
							12	7.2-13.8	250	600	MBDC12Z4	
0.29	10.2	117	0.47	41	3400	3.1	24	12-27.6	140	300	MBDC24Z4	
							12	7.2-13.8	200	450	MBDC12B4	
0.25	8.8	83	0.33	38	3000	2.5	24	12-27.6	110	250	MBDC24B4	

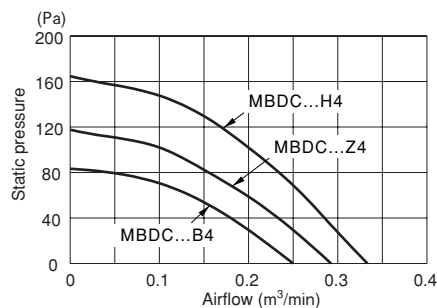
- Figures in the table are average measured values. Please request the product delivery specification when preparing a purchase specification.
- The characteristics are the values at rated voltage (12 V or 24 V), and normal temperature and humidity.

General specification

Materials Used	Venturi: ABS and PBT synthetic resins Impeller: ABS and PBT synthetic resins Bearing: Both side shielded ball bearing
Motor	Brushless DC motor, Protection type: Current shut off by detecting lock state, automatically reset
Common Elec. Spec.	See pages G-11, G-12, G-13.
Standard Carton	120 to a carton of (450 x 380 x 300) mm, mass 13 kg

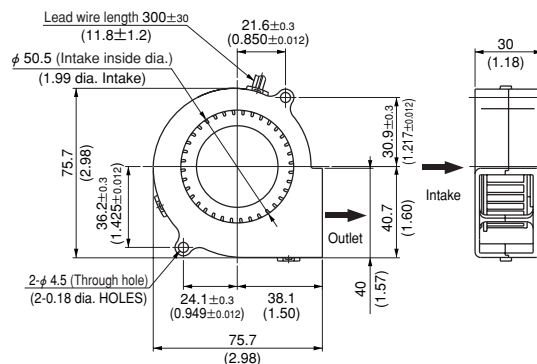
Standard airflow and static pressure characteristics (At rated voltage)

[By double chamber method]



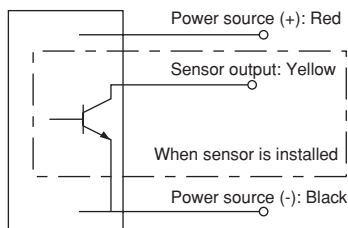
External dimensions in mm (inches)

Lead wire type



Lead wire spec. AWG24 UL1007 or UL3266  
Color (+) Red  
(-) Black

Wiring connection diagram



DC centrifugal blower with sensor

Rated Vol.	Model Code	
12 V	MBDC12Z4S	MBDC12H4S
24 V	MBDC24B4S	

- NIDEC SERVO can meet many of your requirements for customization, such as special connectors, other sensors not listed above, variable speed specifications, and other modifications. Please contact NIDEC SERVO during your product planning and development stage.
- The listed products are registered in the following overseas standards files, UL: E48889, CSA: LR49399, TUV: R9451586
- Customizing to the sleeve bearing specification also accepted depending on the intended purchase quantity. Contact NIDEC SERVO for further information.
- 3D data is also available at our web2-CAD site (www.cadenas.co.jp).

