

DC Centrifugal  
Blowers  
**SFBD**



□94×30 (□3.7"×1.2")  
Max. airflow: 0.65 m<sup>3</sup>/min  
Max. static pressure: 280 Pa  
Mass: 135 g

Fan model code

- SFBD12B4
- SFBD12H7
- SFBD12Z7
- SFBD12Z7P
- SFBD24B4
- SFBD24H7
- SFBD24H7C
- SFBD24H7S
- SFBD24Z7
- SFBD24Z7P
- SFBD24Z7S

Standard specification

Max. Airflow		Max. Static Pressure		Noise dB	Speed min <sup>-1</sup>	Input W		Voltage Spec. V		Current mA		Model Code	Operating Temp. Range °C
m <sup>3</sup> /min	CFM	Pa	inH <sub>2</sub> O			Rating	Operating Range	Rating	Starting				
0.65	23	280	1.13	53	3900	7.8	12	7.2-13.8	650	1600	SFBD12H7	-20 ~ +60	
						7.9	24	12-27.6	330	810	SFBD24H7		
0.56	20	200	0.80	49	3300	5.0	12	7.2-13.8	440	1120	SFBD12Z7		
						5.5	24	12-27.6	300	600	SFBD24Z7		
0.44	16	120	0.48	45	2700	3.5	12	7.2-13.8	290	630	SFBD12B4		
							24	12-27.6	150	330	SFBD24B4		

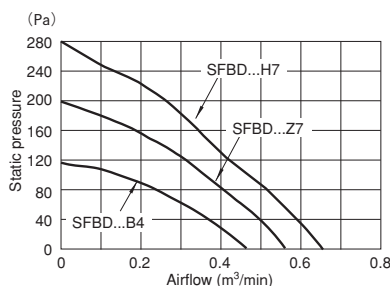
- Figures in the table are average measured values. Please request the product delivery specification when preparing a purchase specification.
- The characteristics are the values at rated voltage (12 V or 24 V), and normal temperature and humidity.
- The life expectancy of SFBD-H speed products at rated voltage and in continuous operation is 30,000 hours at 60 °C. (40,000 hours for other products)

General specification

Materials Used	Venturi: ABS and PBT synthetic resins Impeller: ABS and PBT synthetic resins Bearing: Both side shielded ball bearing
Motor	Brushless DC motor, Protection type: Current shut off by detecting lock state, automatically reset
Common Elec. Spec.	See pages G-11, G-12, G-13.
Standard Carton	60 to a carton of (450 x 380 x 220) mm, mass 9 kg

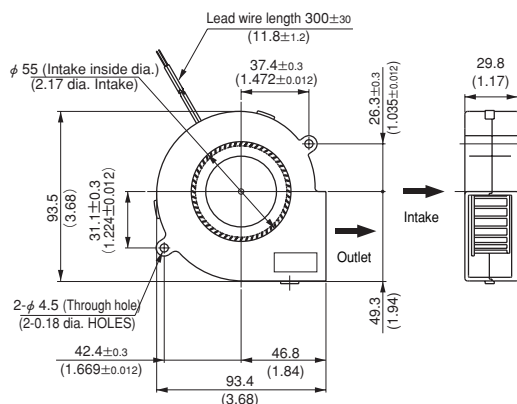
Standard airflow and static pressure characteristics (At rated voltage)

[By double chamber method]



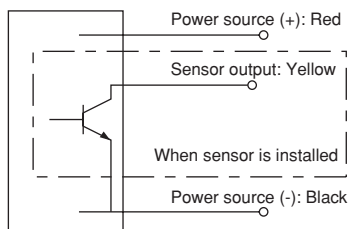
External dimensions in mm (inches)

● Lead wire type



Lead wire spec. AWG24 UL1007 or UL3266  
Color (+) Red  
(-) Black

Wiring connection diagram



DC centrifugal blower with sensor

Rated Vol.	Model Code	
12 V	SFBD12Z7P	
24 V	SFBD24Z7S	
	SFBD24Z7P	SFBD24H7S

- NIDEC SERVO can meet many of your requirements for customization, such as special connectors, other sensors not listed above, variable speed specifications, and other modifications. Please contact NIDEC SERVO during your product planning and development stage.
- The listed products are registered in the following overseas standards files, UL: E48889, CSA: LR49399, TUV: R9451586
- Customizing to the sleeve bearing specification also accepted depending on the intended purchase quantity. Contact NIDEC SERVO for further information.
- 3D data is also available at our web2-CAD site (www.cadenas.co.jp).

Fans & Blowers

Axial

DC fans

Centrifugal

Silent

AC fans

Centrifugal

Option

