

DC Centrifugal  
Blowers

**SMBD**



□ 76 × 25 (□ 3.0" × 1.0")  
Max. airflow: 0.33 m<sup>3</sup>/min  
Max. static pressure: 180 Pa  
Mass: 95 g

Fan model code

SMBD12B4

SMBD12H4

SMBD12H4C

SMBD12H4P

SMBD12H4S

SMBD12Z4

SMBD12Z4S

SMBD24B4

SMBD24B4S

SMBD24H4

SMBD24H4P

SMBD24H4S

SMBD24Z4

SMBD24Z4P

SMBD24Z4S

**Standard specification**

Max. Airflow		Max. Static Pressure		Noise dB	Speed min <sup>-1</sup>	Input W	Voltage Spec. V		Current mA		Model Code	Operating Temp. Range °C
m <sup>3</sup> /min	CFM	Pa	inH <sub>2</sub> O				Rating	Operating Range	Rating	Starting		
0.33	11.6	180	0.72	48	4500	4.0	12	7.2-13.8	330	820	SMBD12H4	-20 ~ +60
						4.4	24	12-27.6	190	440	SMBD24H4	
0.27	9.5	118	0.47	43	3800	2.7	12	7.2-13.8	230	550	SMBD12Z4	
							24	12-27.6	120	350	SMBD24Z4	
0.24	8.5	88	0.35	41	3400	2.2	12	7.2-13.8	180	450	SMBD12B4	
							24	12-27.6	90	250	SMBD24B4	

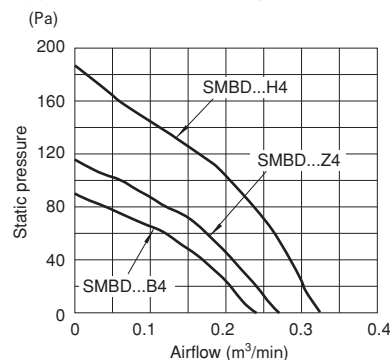
● Figures in the table are average measured values. Please request the product delivery specification when preparing a purchase specification.  
● The characteristics are the values at rated voltage (12 V or 24 V), and normal temperature and humidity.

**General specification**

Materials Used	Venturi: ABS and PBT synthetic resins Impeller: ABS and PBT synthetic resins Bearing: Both side shielded ball bearing
Motor	Brushless DC motor, Protection type: Current shut off by detecting lock state, automatically reset
Common Elec. Spec.	See pages G-11, G-12, G-13.
Standard Carton	120 to a carton of (450 x 380 x 300) mm, mass 9 kg

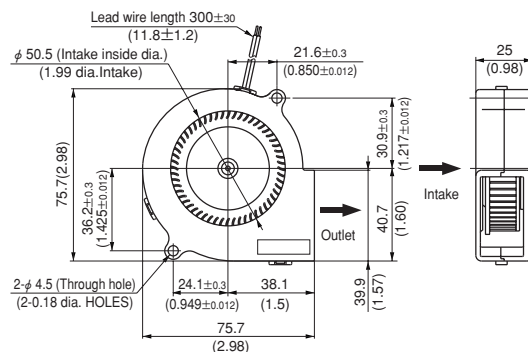
**Standard airflow and static pressure characteristics (At rated voltage)**

[By double chamber method]



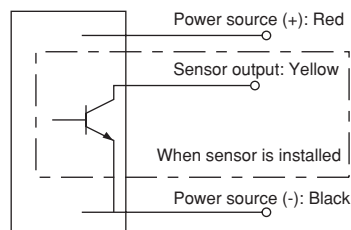
**External dimensions in mm (inches)**

● Lead wire type



Lead wire spec. AWG24 UL1007 or UL3266  
Color (+) Red  
(-) Black

**Wiring connection diagram**



**DC centrifugal blower with sensor**

Rated Vol.	Model Code		
12 V		SMBD12Z4S	SMBD12H4S SMBD12H4P
24 V	SMBD24B4S	SMBD24Z4S SMBD24Z4P	SMBD24H4S SMBD24H4P

● NIDEC SERVO can meet many of your requirements for customization, such as special connectors, other sensors not listed above, variable speed specifications, and other modifications. Please contact NIDEC SERVO during your product planning and development stage.  
● The listed products are registered in the following overseas standards files, UL: E48889, CSA: LR49399, TUV: R9451586  
● 3D data is also available at our web2-CAD site (www.cadenas.jp).

