

AC Axial Fan
VE



□ 80 × 25 (□ 3.2" × 1.0")
 Max. airflow: 0.55 m³/min (50 Hz)
 0.65 m³/min (60 Hz)
 Max. static pressure:
 42 Pa (50 Hz) 60 Pa (60 Hz)
 Mass: 250 g

Fan model code

VE115B5

VE2B5

VE47F5

VE55B5

VEJ47F5

VEJ55B5

Standard specification

(*1: Rated values appear on name plate)

Max. Airflow		Max. Static Pressure		Noise	Speed	Rated Vol.	Freq.	Input	Current	Lock	Model Code			
m ³ /min	CFM	Pa	inH ₂ O	dB	min ⁻¹	V (±10%)	Hz	W *1	mA*1	Current mA	Lead Wire Type	Std*2	Lead Wire Type	Std*2
0.55 /0.65	19 /23	42/ 60	0.17/ 0.24	30/ 35	2750/ 3300	100	50/ 60	11/9	130/110	130/110	VE55B5	U	VEJ55B5	P
						115		11/9	130/100	170/130	VE2B5	U		
						115		11/9	140/110	140/110	VE115B5	UTV		
0.37/ 0.48	13 /17	17/ 29	0.07/ 0.12	27/ 31	1800/ 2300	100-120	50/ 60	12/10	130/110	130/110	VE47F5	TV	VEJ47F5	P

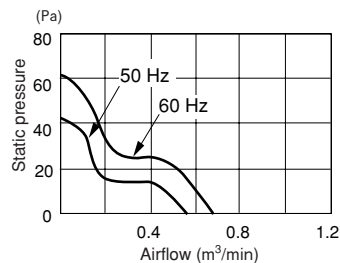
- Figures in the table are average measured values. Please request the product delivery specification when preparing a purchase specification.
- *2: The symbols in the standards column denote that they are registered in the following standards files, U: UL E48889, T: TUV R60229-60302, V: VDE 3019UG
- *2: Products conforming to the specifications of the Electrical Appliance and Material Safety Law (Japan) can be used in case the products are assembled in electric appliances used in Japan. (Products marked with the (PS)E mark)

General specification

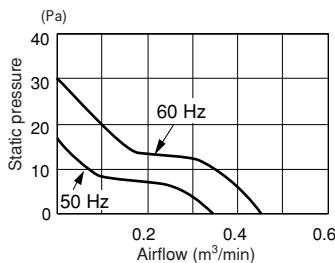
Materials Used	Venturi: Aluminum alloy die casting Propeller: Glass fiber reinforced polycarbonate resin Bearing: Double - sided shielded ball bearing
Motor	Shaded pole induction motor Protection type: Impedance protection
Common Elec. Spec.	See pages G-12.
Usage Range	Rated voltage ±10 %
Operating Temp. Range	-20 °C ~ +60 °C (-20 °C ~ +55 °C in TÜV standard -20 °C ~ +40 °C in VDE standard)
Standard Carton	40 to a carton of (450 x 380 x 160) mm, mass 11 kg

Standard airflow and static pressure characteristics (At rated voltage)

VE□□B5

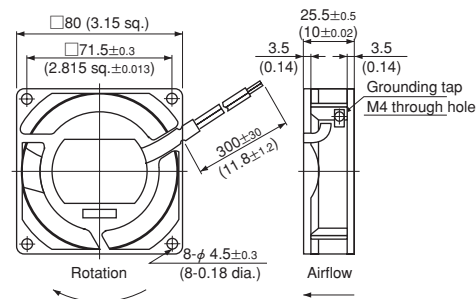


VE□□F5



External dimensions in mm (inches)

● Lead wire type

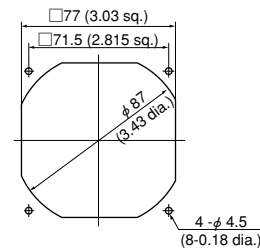


Lead wire specification
 VEJ series: Heat resistant PVC 0.75 mm² (30 conductors, 0.18 dia.)
 VE series: AWG22 UL1015

Options (sold separately)

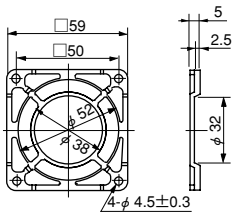
- Guard: F80UL guard
- Filter: F80 filter

Mounting hole dimensions in mm (inches)
[Recommendation]



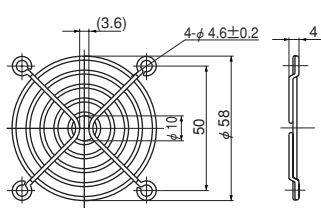
Identical for the intake and outlet sides

F60P Guard (Mass 4 g)



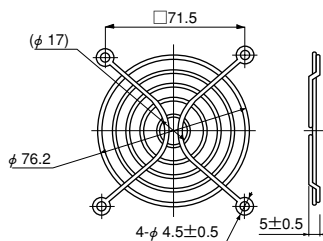
Material: Polycarbonate (black)
UL94V-2

F60UL Guard (Mass 12 g)



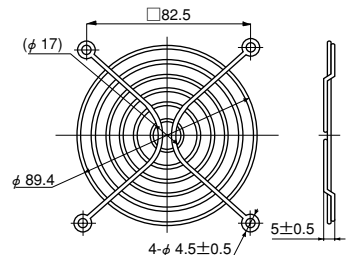
Material: Mild steel wire 1.6 dia.
Surface treatment:
Nickel chromium plating

F80UL Guard (Mass 14 g)



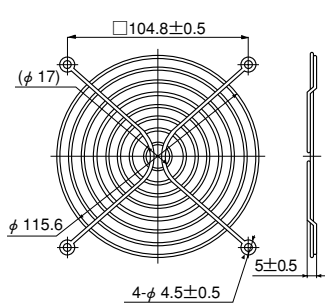
Material: Mild steel wire 1.6 dia.
Surface treatment:
Nickel chromium plating

F92UL Guard (Mass 16 g)



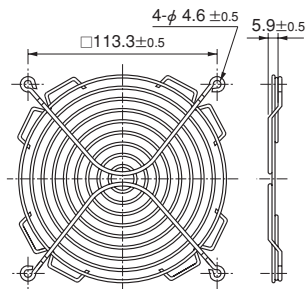
Material: Mild steel wire 1.6 dia.
Surface treatment:
Nickel chromium plating

F120UL Guard (Mass 29 g)



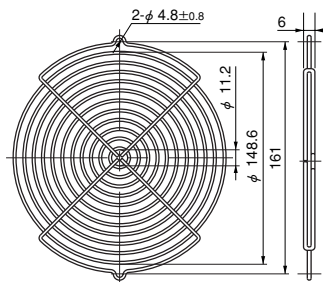
Material: Mild steel wire 1.6 dia.
Surface treatment:
Nickel chromium plating

F127UL Guard



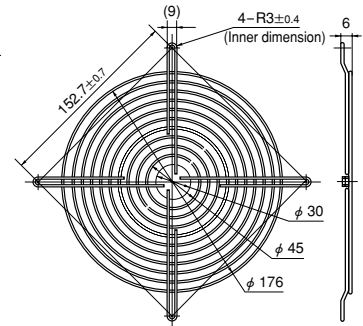
Material: Mild steel wire 1.6 dia.
Surface treatment:
Nickel chromium plating

GUARD 172



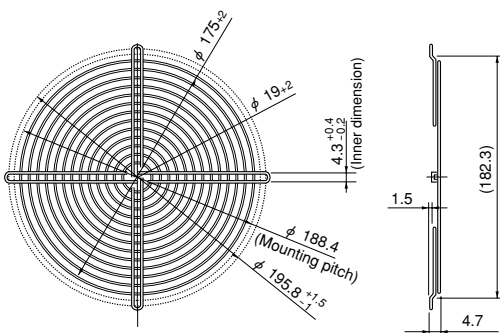
Material: Mild steel wire 2 dia.
Surface treatment:
Nickel chromium plating

F180UL Guard



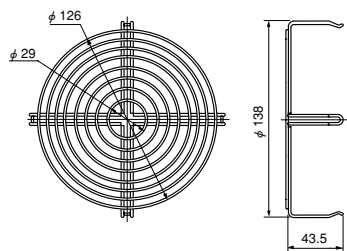
Material: Mild steel wire 1.6 dia.
Surface treatment:
Nickel chromium plating

F200UL Guard (Mass 82 g)



Material: Mild steel wire 1.6 dia.
Surface treatment:
Nickel chromium plating

SCN Guard (Mass 55 g)



Material: Mild steel wire 1.6 dia.
Surface treatment:
Nickel chromium plating

• Guard special for intake side of
SCN (metal venturi) fans.

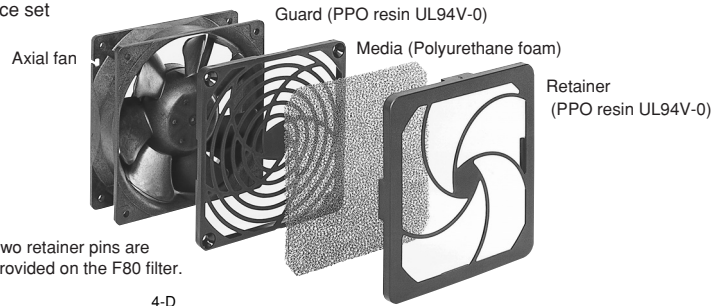
List of mating fan series

Guard	F60P	F60UL	F80UL	F92UL	F120UL	F127UL	GUARD 172	F180UL	F200UL	SCN
AC Axial Fans										
SCN					○*1					○*2
VE			○							
WE				○						
KA				○						
CU					○					
CN					○					
MA							○			
PA							○			
TUDC	○	○								
PUDC			○							
KUDC				○						
DO925C				○						
KLDC				○						
CUDC					○					
D1225C					○					
DC Axial Fans										
CNDC					○					
D1238T					○					
D1238B					○					
D1338B						○				
D1338S						○				
D1751M							○			
D1751S							○			
G0638D		○								
G0838C			○							
G0938B				○						
G1238B					○					
G1751M								○		

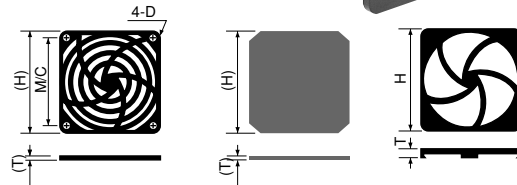
*1: Can be installed only on outlet side. *2: Can be installed only on intake side.
All guards conform to the UL standard when combined with NIDEC SERVO fans.
The installation of a filter, guard and other accessories will constitute a ventilating load, reducing the airflow. Select a suitable guard, taking into consideration the increase in air resistance. (See Figs. 12 and 13 on page G-7.)

Filter

3-piece set



Note: Two retainer pins are provided on the F80 filter.



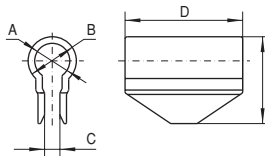
List of mating fan series

Filter	F80	F92	F120
PUDC	○		
KUDC		○	
D0925C		○	
KLDC		○	
CUDC			○
D1225C			○
CNDC			○
D1238T			○
D1238B			○
G0838C	○		
G0938B		○	
G1238B			○

Filter	F80	F92	F120
VE	○		
WE		○	
KA		○	
CU			○
CN			○

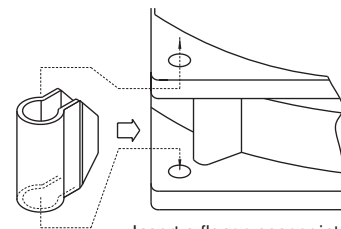
Component (Model Code)	H	T	M/C	D
F80 Filter	83.6	10	71.5	φ 3.8
F92 Filter	96.5	10	82.5	φ 3.8
F120 Filter	123.7	10.7	104.8	φ 4.6

Flange spacer



Component (Model Code)	A mm	B mm	C mm	D mm	E mm	Mating Model Code
Flange Spacer PUDC (※)	5	8	2	17	14.5	KUDC,PUDC
Flange Spacer CUDC (※)	8	11	3.5	15	19.8	CUDC
Flange Spacer CNDC	8	11	3.5	28	19.8	CNDC

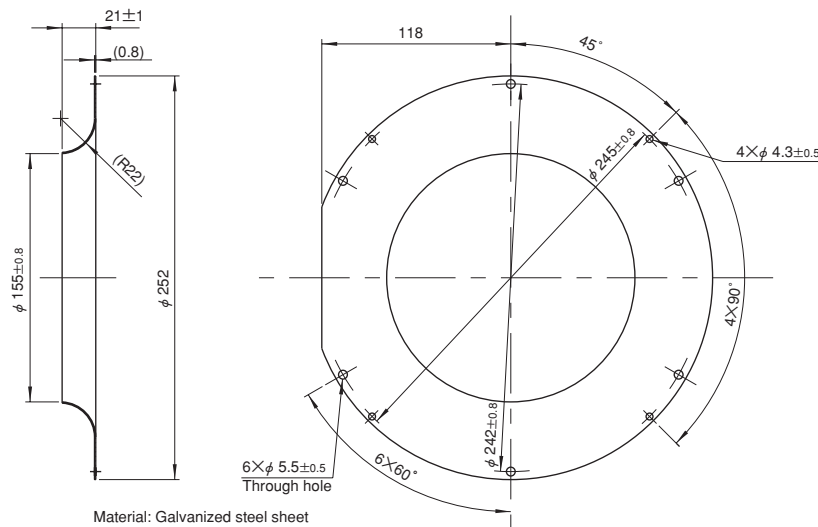
※Ribbed venturis (PUDC-R, CUDC-R) are available for PUDC and CUDC.



Insert a flange spacer into the ribs of a venturi.

(Installing a flange spacer)

Inlet ring



Material: Galvanized steel sheet

Component (Model Code)	Mating Model Code
E2271 Inlet ring	E2271Z